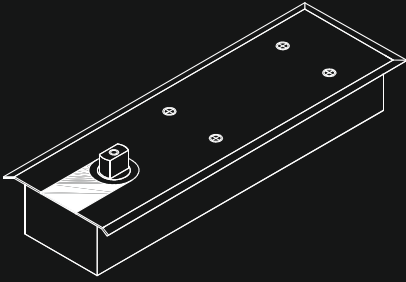


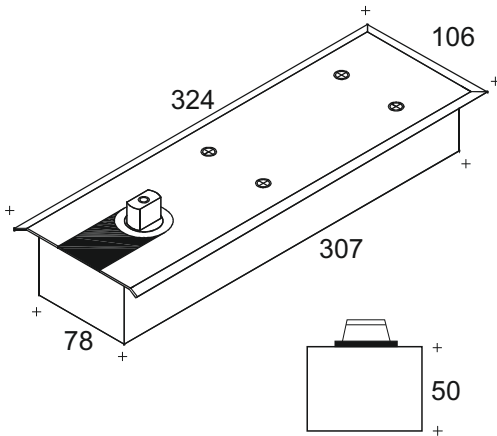
Floor springs



See full details next page

Finishes : SS, PS, PB, BZ,

Floor Springs



Floor spring box 307 x 78 x 50mm
Cover plate size 324 x 106mm

Product Code

20.1643

Integral floor spring unit 300 x 100 x 50mm 400kg weight capacity, adjustable loose box, power 1-4 proportional backcheck, speed control, unique highly efficient (up to 90 %) low friction mechanism, self-centring cam and full 180° operating cycle, supplied with a satin stainless steel cover plate.

20.1645

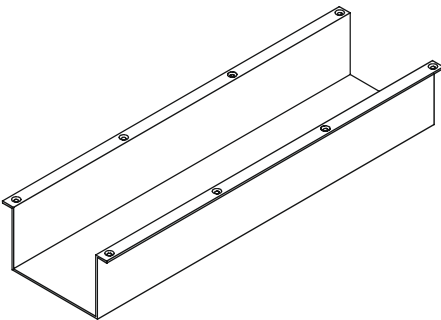
Integral floor spring unit 300 x 100 x 50mm 400kg weight capacity, adjustable loose box, power 1-4 proportional backcheck, speed control, delayed action, unique highly efficient (up to 90 %) low friction mechanism, self-centring cam and full 180° operating cycle, supplied with a satin stainless steel cover plate.

20.1646

Integral floor spring unit 300 x 100 x 50mm 400kg weight capacity, adjustable loose box, power 1-4 proportional backcheck, speed control, hold open at 90°, unique highly efficient (up to 90 %) low friction mechanism, self-centring cam and full 180° operating cycle, supplied with a satin stainless steel cover plate.

20.1647

Integral floor spring unit 300 x 100 x 50mm 400kg weight capacity, adjustable loose box, power size en 4, speed control, electromagnetic hold open 24v DC unique highly efficient (up to 90%) low friction mechanism, self-centring cam, supplied with a satin stainless steel cover plate.



20.1648

Integral floor spring mounting box for raised floor installations



Code Illustration

20.1643.SS = Satin stainless steel

Finishes : SS, PS, PB, BZ